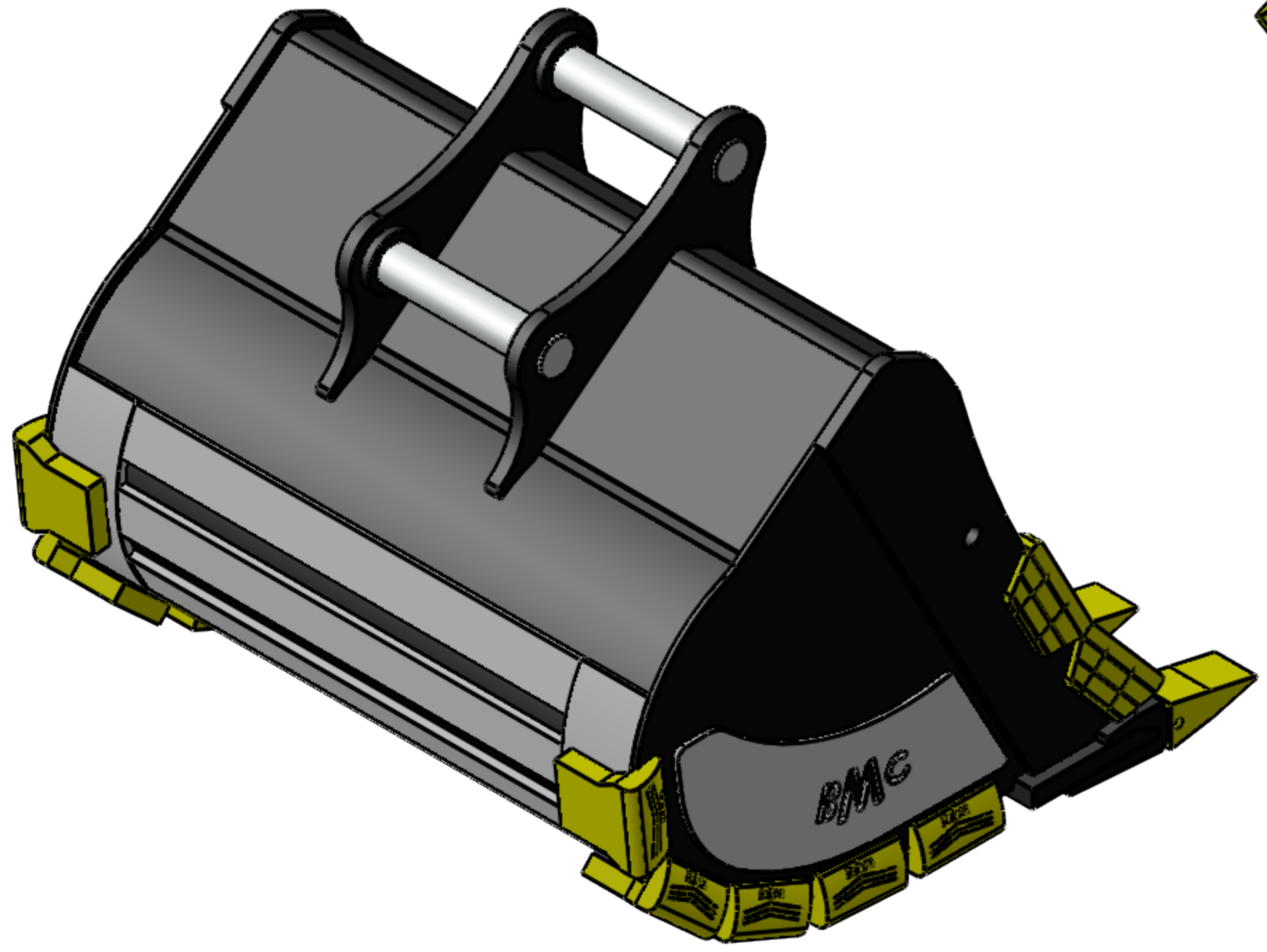
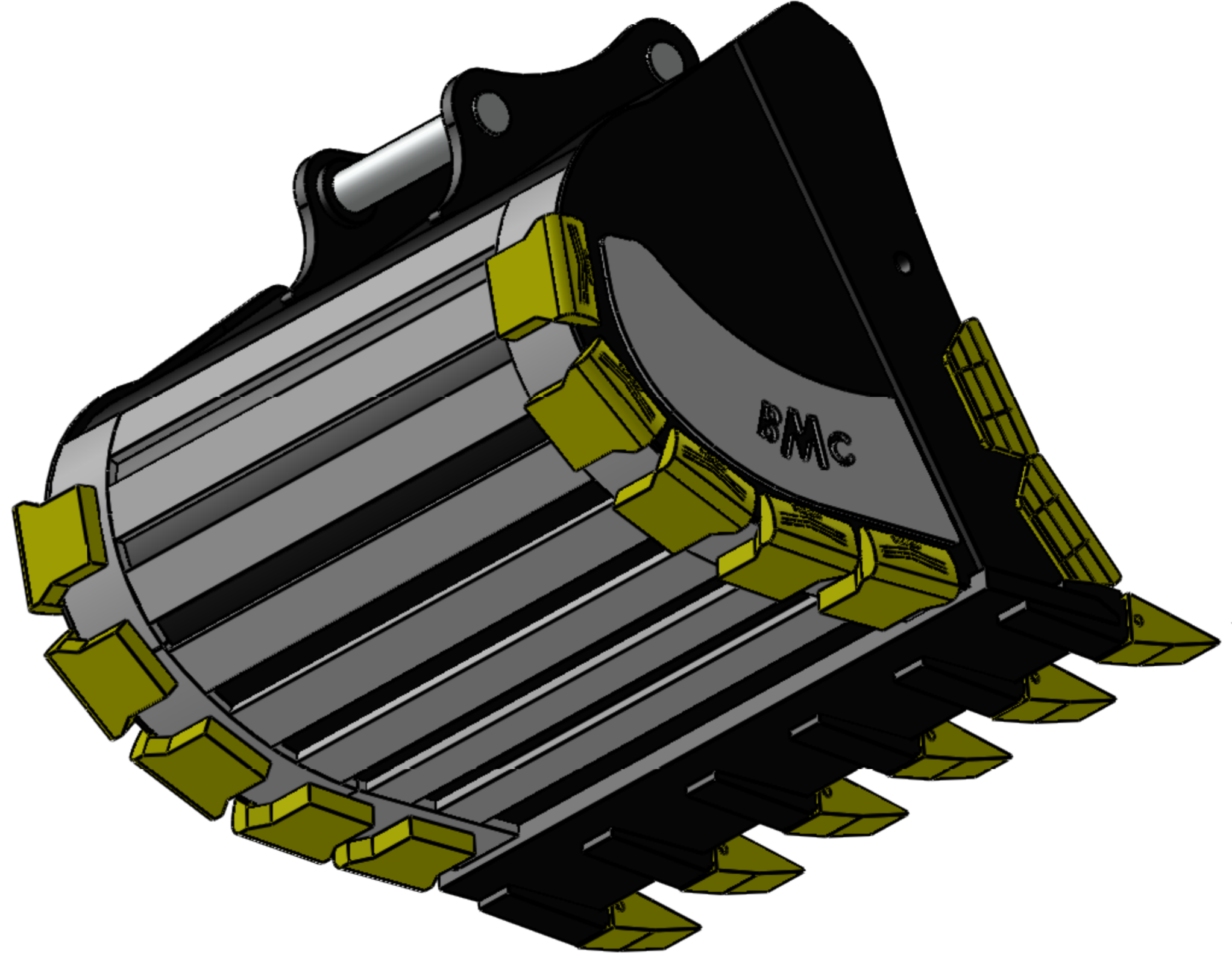
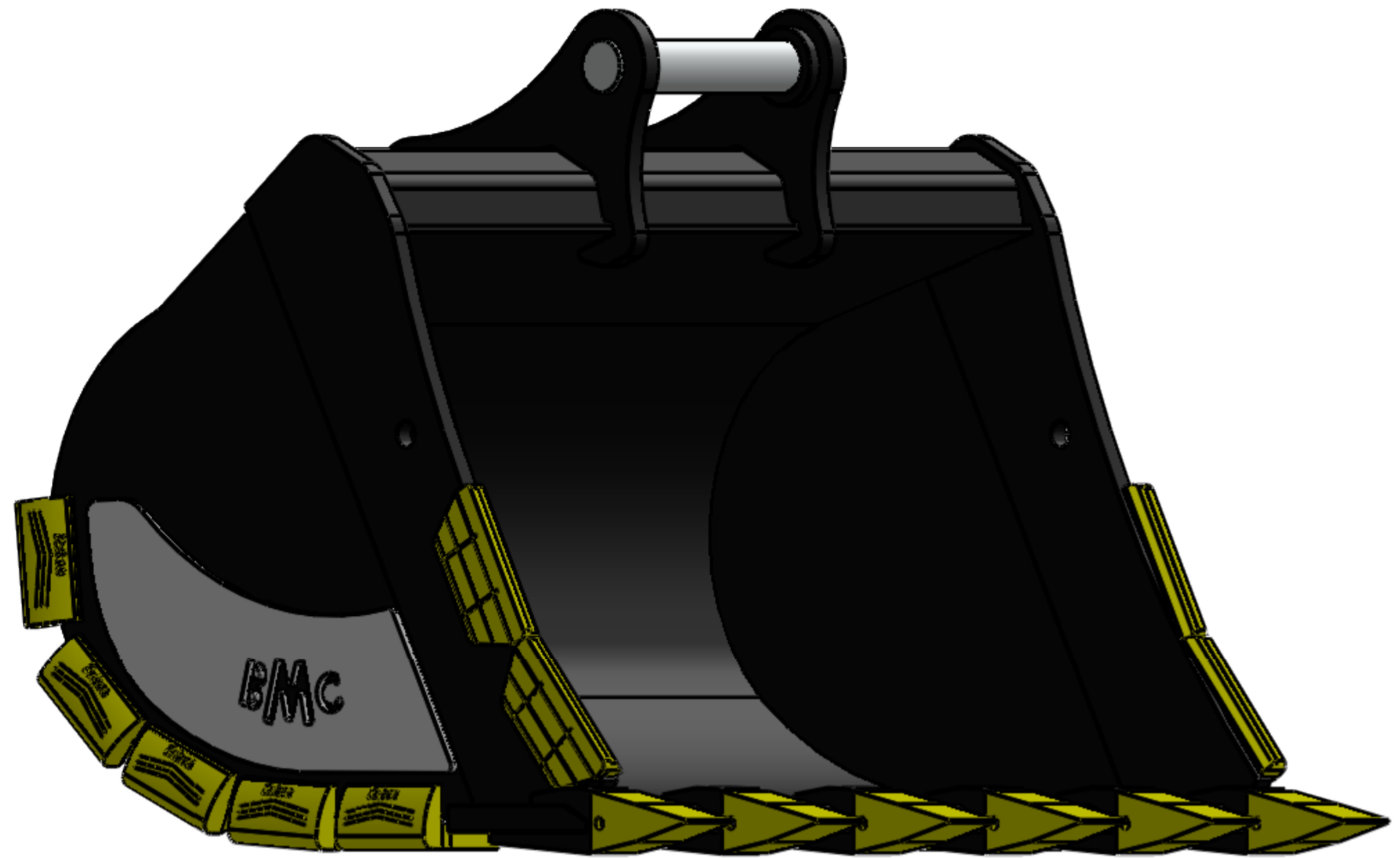


WEIGHT - 1240kgs

UNLESS OTHERWISE SPECIFIED: DIMENSIONS ARE IN MILLIMETERS				FINISH:		DEBURR AND BREAK SHARP EDGES		DO NOT SCALE DRAWING		REVISION	
SURFACE FINISH:				TOLERANCES:		LINEAR:		ANGULAR:		TITLE:	
DRAWN	NAME	SIGNATURE	DATE								
CHK'D											
APP'VD											
MFG											
Q.A											
								MATERIAL:		DWG NO.	
										HX22-EXTREME	A2
								WEIGHT:		SCALE:1:20	SHEET 1 OF 2



UNLESS OTHERWISE SPECIFIED: DIMENSIONS ARE IN MILLIMETERS				FINISH:		DEBURR AND BREAK SHARP EDGES		DO NOT SCALE DRAWING		REVISION
SURFACE FINISH:										
TOLERANCES:										
LINEAR:										
ANGULAR:										
	NAME	SIGNATURE	DATE					TITLE:		
DRAWN										
CHK'D										
APPV'D										
MFG										
Q.A										
						MATERIAL:		DWG. NO.		A2
						WEIGHT:		HX22-EXTREME		
								SCALE:1:20	SHEET 2 OF 2	